

# TYPICAL SHS PILE FOUNDATION DETAIL FOR USE WITH FLANGE BASED POLES @ 160 CENTRES

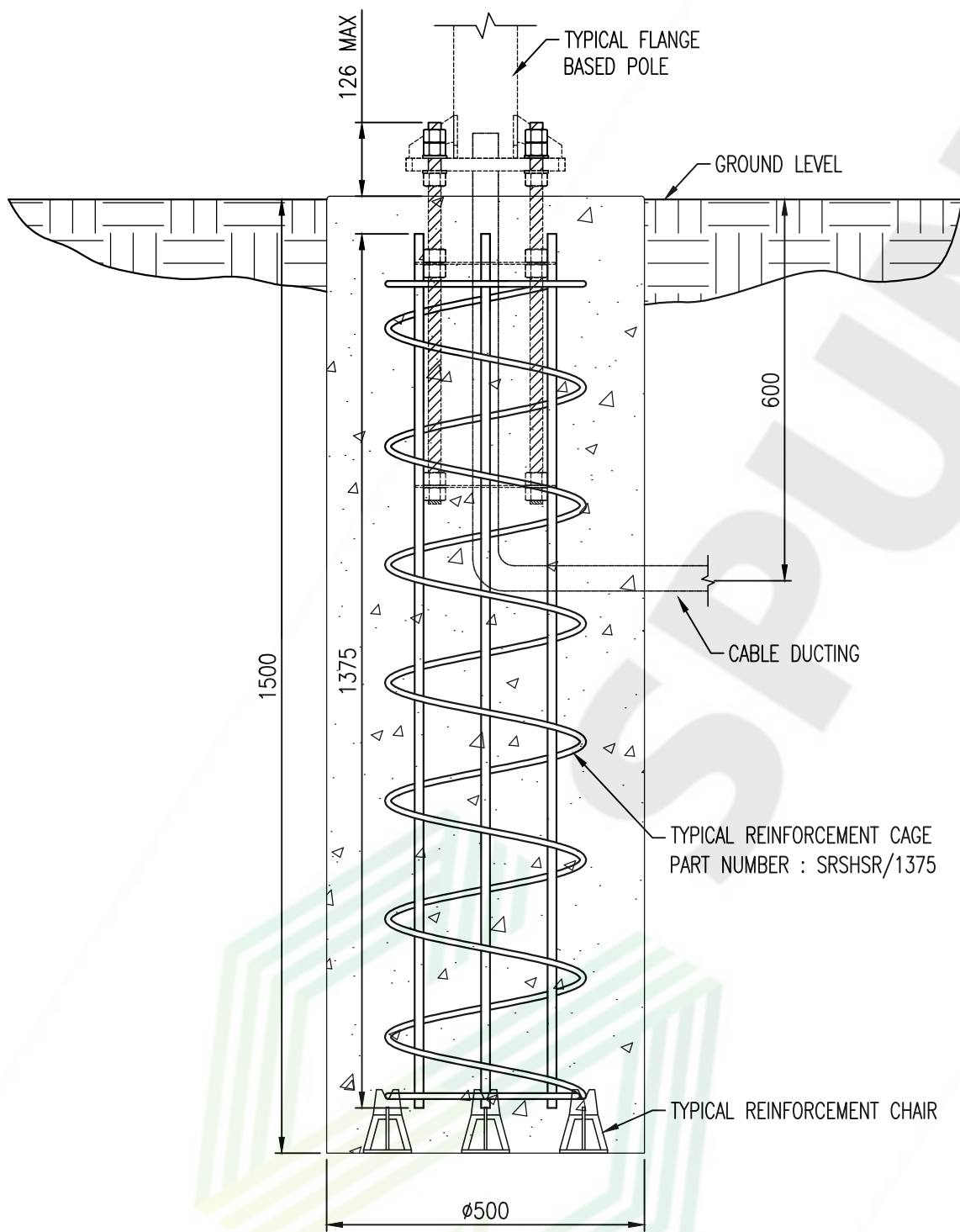
IF YOU REQUIRE A GREATER LOADING OR ARE OUTSIDE OF THE DESIGN PARAMETERS PLEASE CONTACT SPUNLITE POLES TO CHECK CALCULATIONS

### FOUNDATION NOTES

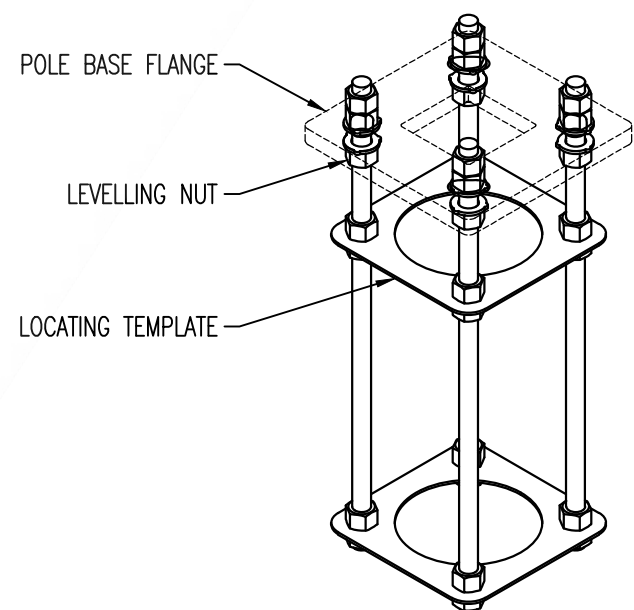
1. Foundation detail assumes site ultimate limit state design bearing capacity greater than 100 kPa.
2. The site specific subsoil investigation and foundation check/approval is to be by others and is to be completed by a chartered professional engineer. this detail is a guide only.
3. Reinforcement cage available from Spunlite poles Ltd. as option at additional cost. Weight 10kg (est). Volume = 0.17m<sup>3</sup>
4. Do not weld any items.
5. Locating templates intended to remain in place after installation
6. Erect pole and tighten nuts "Snug Tight" as prescribed in NZS 3404:1:2009 clause 4.2.6.2 (A)
7. Compact dry-pack mortar between base flange and foundation surface. Material to provide 1 day strength of 20 MPa and 20 day strength of 55 MPa. Install drainage tubes.
8. Additional information at [www.spunlite.co.nz](http://www.spunlite.co.nz)

### HBBS POSITIONING NOTES

1. Levelling nut to sit just above wet concrete on installation.
2. Levelling nut to be dumpy leveled before pole is placed on foundations.



TYPICAL SHS PILE FOUNDATION  
SEE NOTES  
SCALE 1:10



HOLD DOWN BOLT SET  
PART NUMBER : SOAR/0626  
SEE NOTES  
SCALE 1:8

Rev	Amendment Description	By	Chk	Date	DESIGN PARAMETERS:												
1	SECOND PRODUCTION ISSUE	SG	MV	21.01.20	Design Working Life: 25 Importance Level: 1 Wind Region: A Terrain Category: 2 Site Elevation: <350m												
					<table border="1" style="width: 100%; border-collapse: collapse;"> <tr> <td style="width: 30%;">PRODUCT NUMBER</td> <td style="width: 30%;">SCALE</td> <td style="width: 40%;">SHEET</td> </tr> <tr> <td>SRSR/1375</td> <td>AS SHOWN</td> <td>C1</td> </tr> <tr> <td>DRG.SIZE</td> <td>SCALE</td> <td>REVISION</td> </tr> <tr> <td>A3</td> <td>AS SHOWN</td> <td>1</td> </tr> </table>	PRODUCT NUMBER	SCALE	SHEET	SRSR/1375	AS SHOWN	C1	DRG.SIZE	SCALE	REVISION	A3	AS SHOWN	1
PRODUCT NUMBER	SCALE	SHEET															
SRSR/1375	AS SHOWN	C1															
DRG.SIZE	SCALE	REVISION															
A3	AS SHOWN	1															



PRODUCT: STANDARD RANGE

TITLE: SHS STANDARD RANGE FOUNDATION REINFORCEMENT 1375

SPUNLITE POLES LTD AND OR WINDSOR URBAN LTD CLAIM AUTHORSHIP OF THIS WORK & RETAIN INTELLECTUAL & ARTISTIC COPYRIGHT

[www.spunlite.co.nz](http://www.spunlite.co.nz)