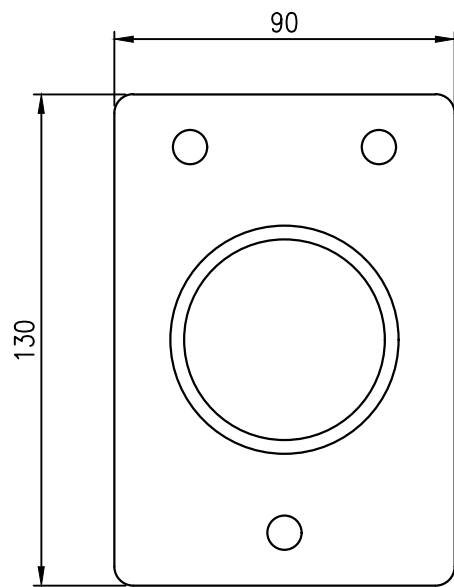
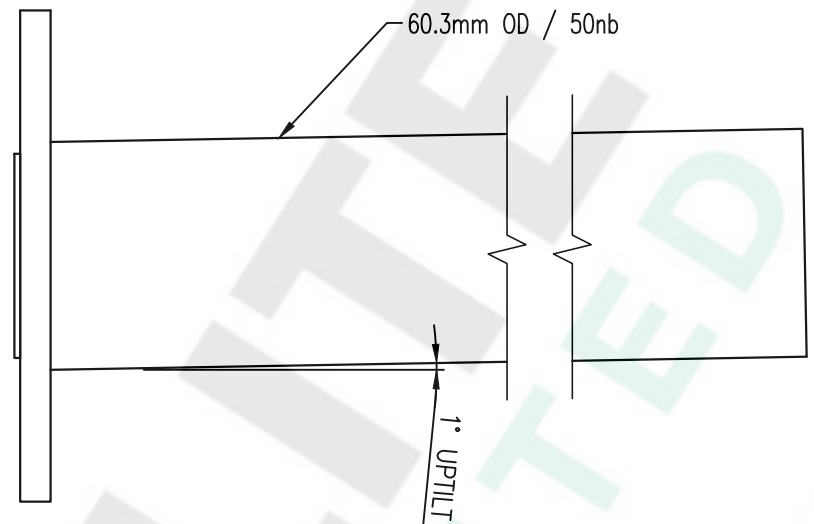


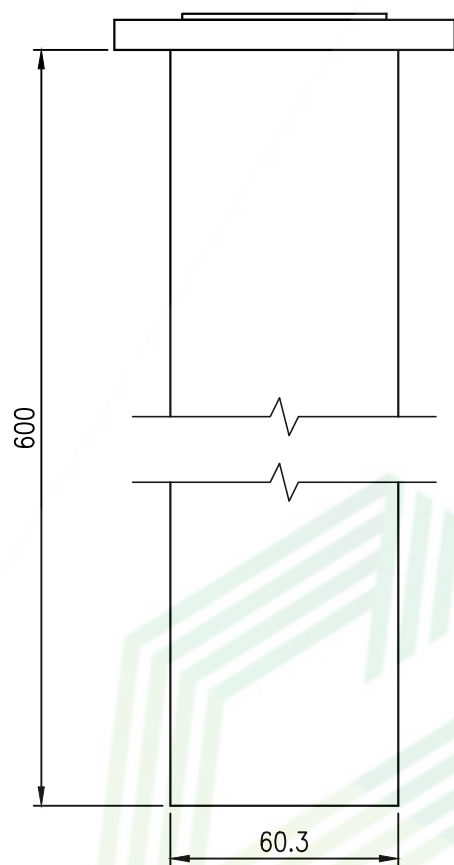
SIDE MOUNT SPIGOT
FOR USE WITH STANDARD RANGE SHS POLES



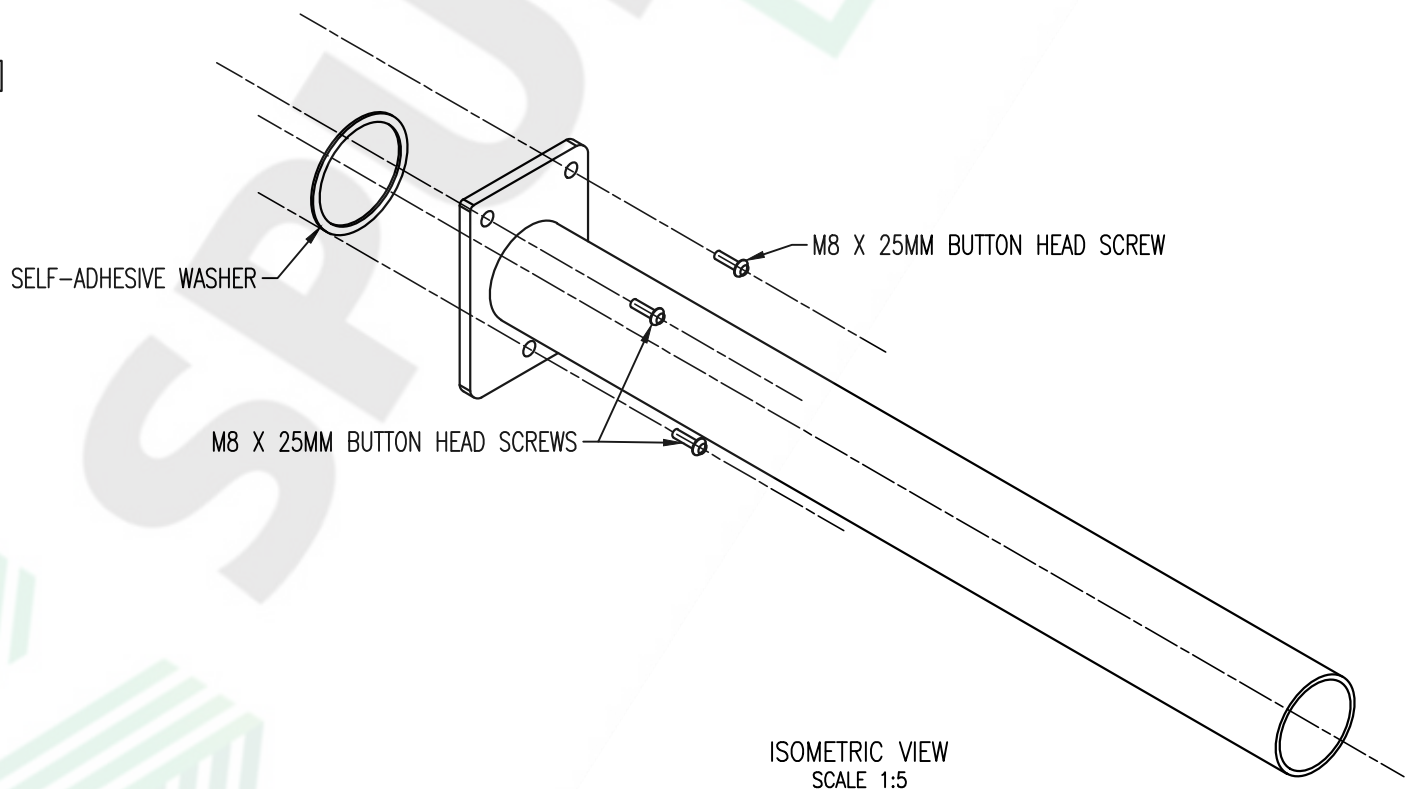
ELEVATION
SCALE 1:2



SIDE VIEW
SCALE 1:2



PLAN
SCALE 1:2



ISOMETRIC VIEW
SCALE 1:5

ESTIMATED WEIGHT = 4KG

Rev	Amendment Description	By	Chk	Date	DESIGN PARAMETERS:
1	SECOND PRODUCTION ISSUE	SG	MV	21.01.20	Design Working Life: 25 Importance Level: 1 Wind Region: A Terrain Category: 2 Site Elevation: <350m
					PRODUCT NUMBER: SRSHSO/60600G SHEET: C1 SHT 01/01 DRG.SIZE: A3 SCALE: AS SHOWN REVISION: 1



PRODUCT: STANDARD RANGE
TITLE: SHS SIDE MOUNT SPIGOT 60 O.D. x 600MM