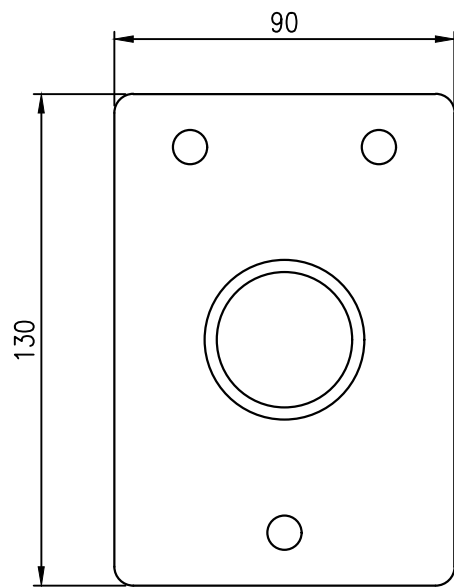
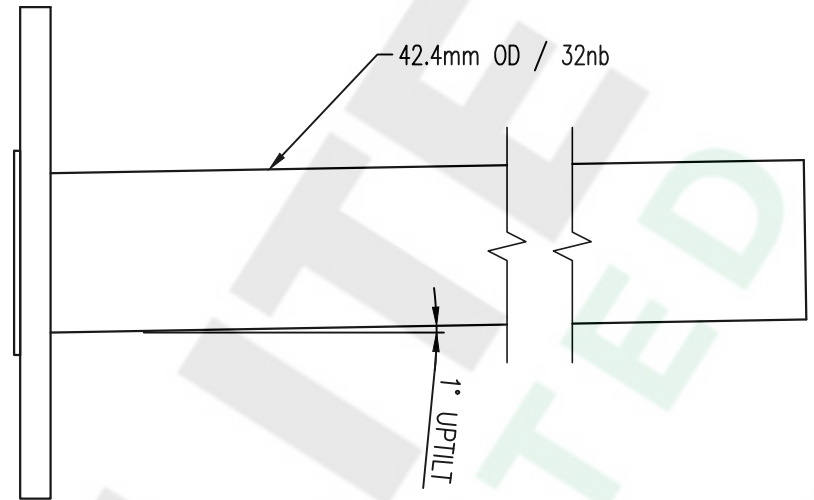


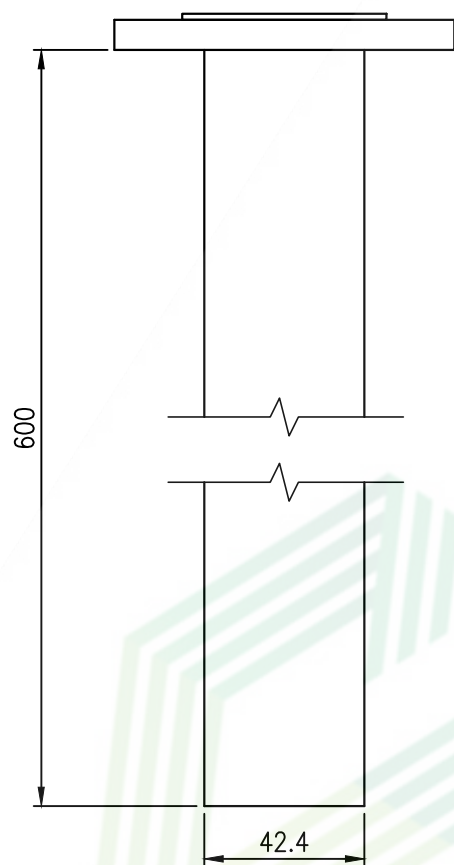
SIDE MOUNT SPIGOT  
FOR USE WITH STANDARD RANGE SHS POLES



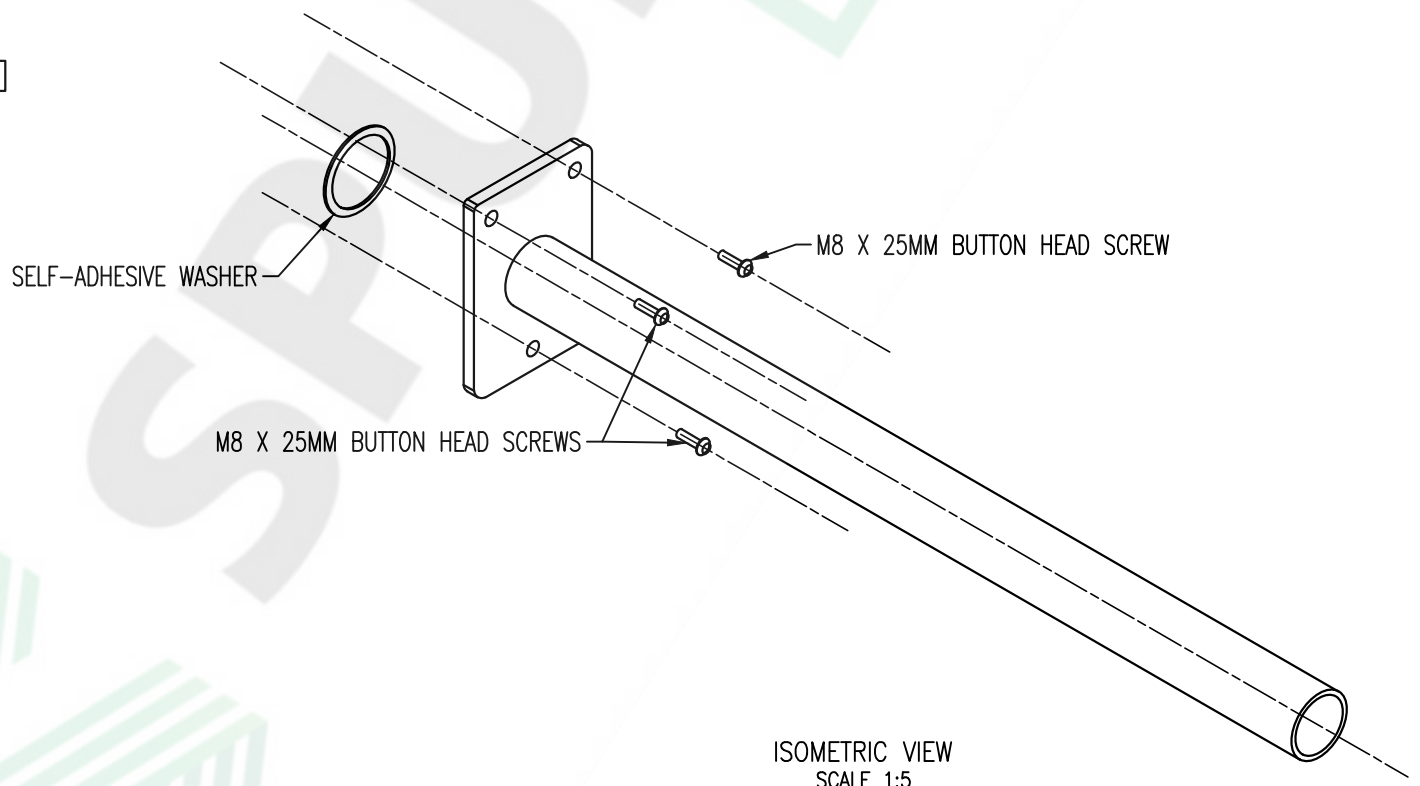
ELEVATION  
SCALE 1:2



SIDE VIEW  
SCALE 1:2



PLAN  
SCALE 1:2



ISOMETRIC VIEW  
SCALE 1:5

ESTIMATED WEIGHT = 3KG

Rev	Amendment Description	By	Chk	Date	DESIGN PARAMETERS:
1	SECOND PRODUCTION ISSUE	SG	MV	21.01.20	Design Working Life: 25 Importance Level: 1 Wind Region: A Terrain Category: 2 Site Elevation: <350m
					PRODUCT NUMBER
					SRSHSO/42600G
					DRG.SIZE
					A3
					SCALE
					AS SHOWN
					SHEET
					C1
					REVISION
					1



PRODUCT: STANDARD RANGE  
TITLE: SHS SIDE MOUNT SPIGOT 42 O.D. x 600MM