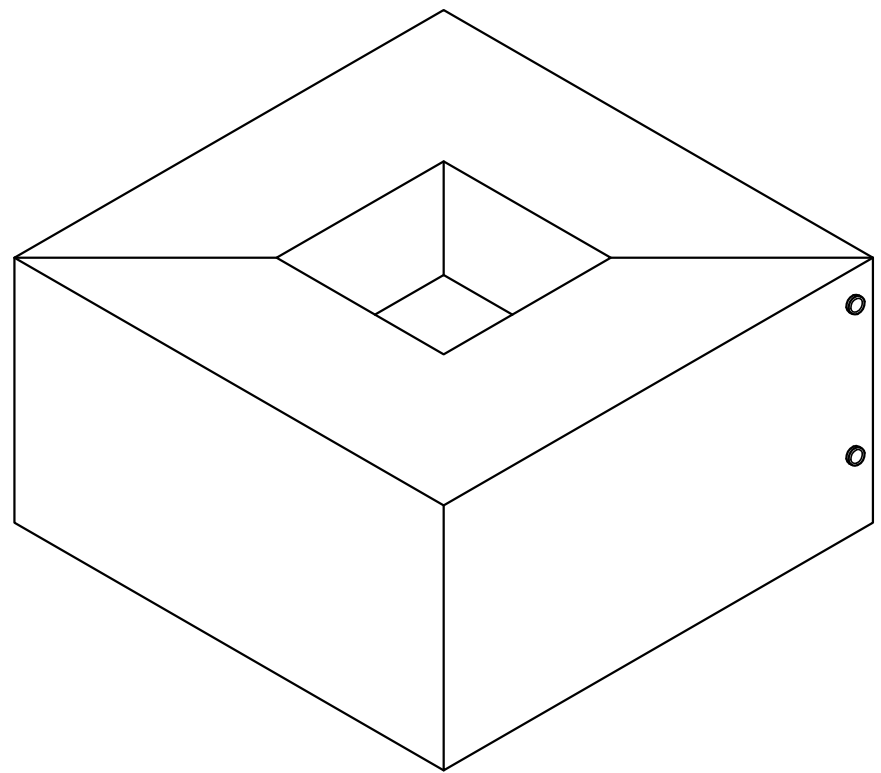
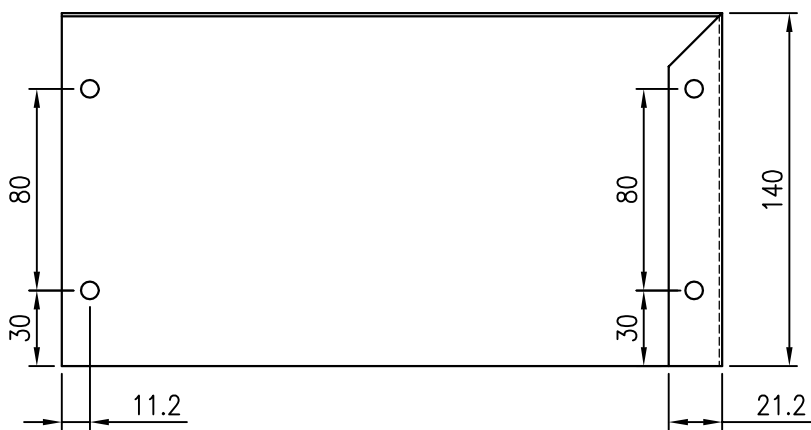


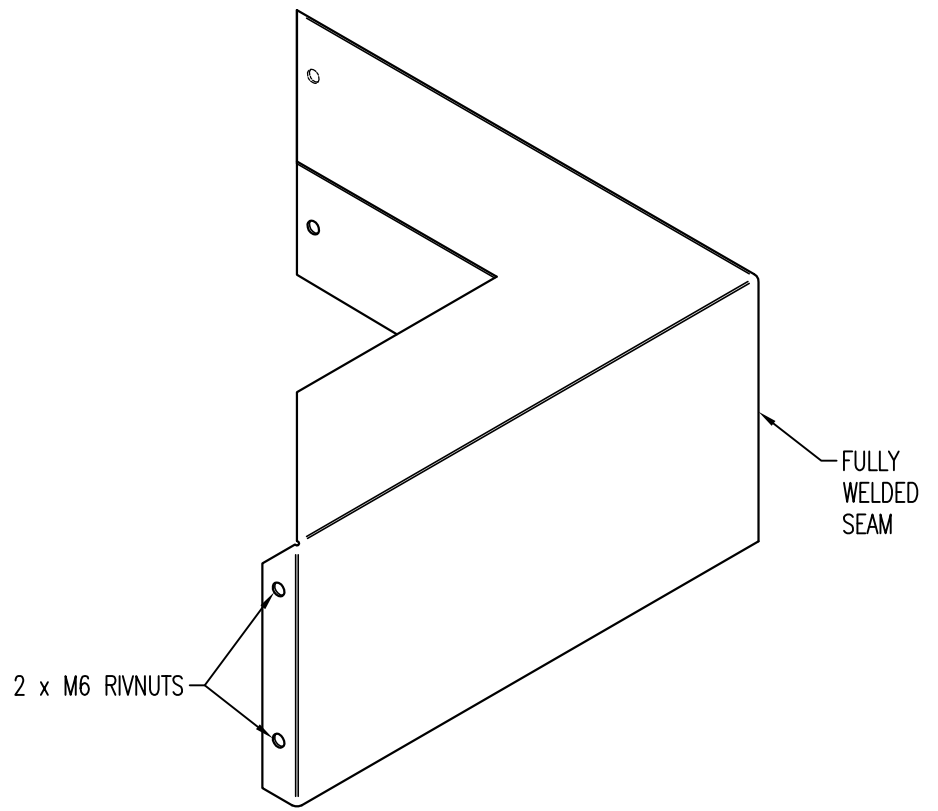
COM/00320 PLAN VIEW
(ONE HALF OF COMPLETE COWL SHOWN)
SCALE 1:3



ASSEMBLED ISOMETRIC VIEW
SCALE 1:4



COM/00320 ELEVATION
SCALE 1:3



COM/00320 ISOMETRIC VIEW
SCALE 1:4

Rev	Amendment Description	By	Chk	Date	DESIGN PARAMETERS:										
1	FIRST ISSUE	DT	-	02.09.20	Design Working Life: 25 Importance Level: 1 Wind Region: A Terrain Category: 2 Site Elevation: <350m										
					<table border="1"> <tr> <td>PRODUCT NUMBER</td> <td>SHEET</td> </tr> <tr> <td>SRSHSFB/COWL(A)</td> <td>W1</td> </tr> <tr> <td>DRG.SIZE</td> <td>SCALE</td> </tr> <tr> <td>A3</td> <td>AS SHOWN</td> </tr> <tr> <td>REVISION</td> <td>1</td> </tr> </table>	PRODUCT NUMBER	SHEET	SRSHSFB/COWL(A)	W1	DRG.SIZE	SCALE	A3	AS SHOWN	REVISION	1
PRODUCT NUMBER	SHEET														
SRSHSFB/COWL(A)	W1														
DRG.SIZE	SCALE														
A3	AS SHOWN														
REVISION	1														



PRODUCT: STANDARD RANGE
TITLE: ALUMINIUM BASE COWL FOR 100X100 SHS POLE

SPUNLITE POLES LTD AND OR WINDSOR URBAN LTD CLAIM AUTHORSHIP OF THIS WORK & RETAIN INTELLECTUAL & ARTISTIC COPYRIGHT