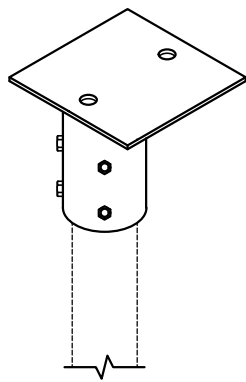
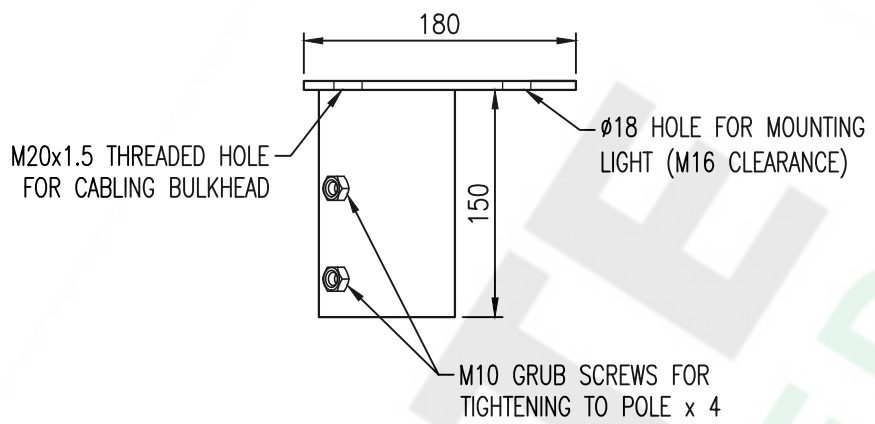


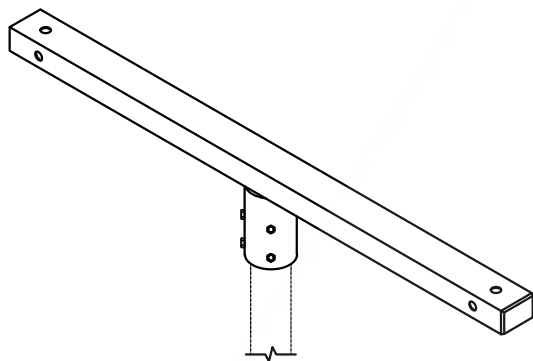
CROSS ARMS FOR USE WITH STANDARD RANGE FLOODLIGHTING POLES



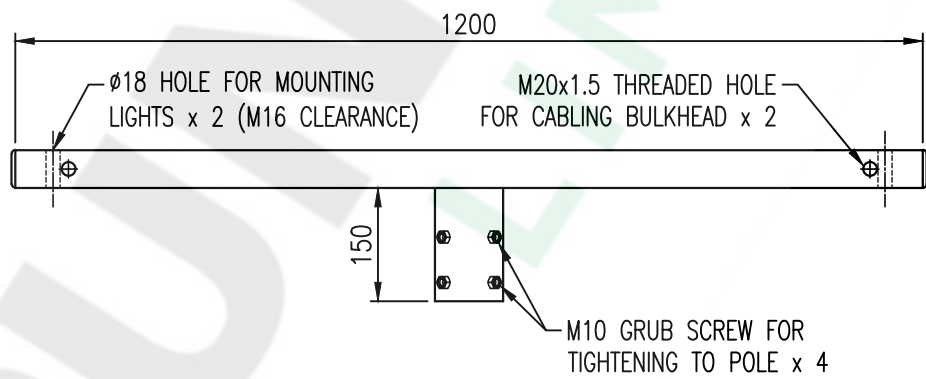
ISOMETRIC VIEW
NTS



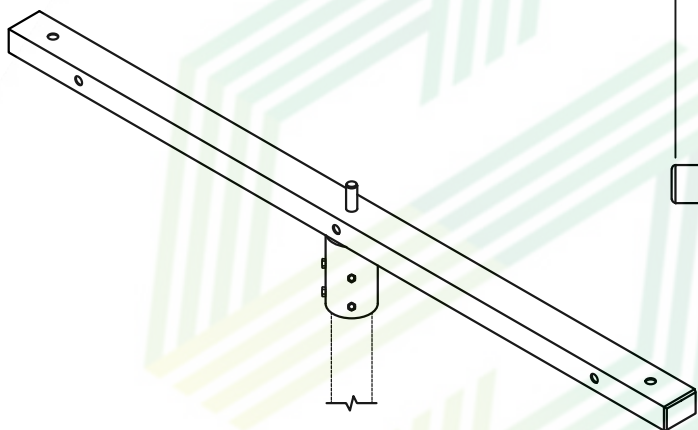
SRFC/1 SINGLE PLATE MOUNT
EST. WEIGHT = 10KG
SCALE 1:5



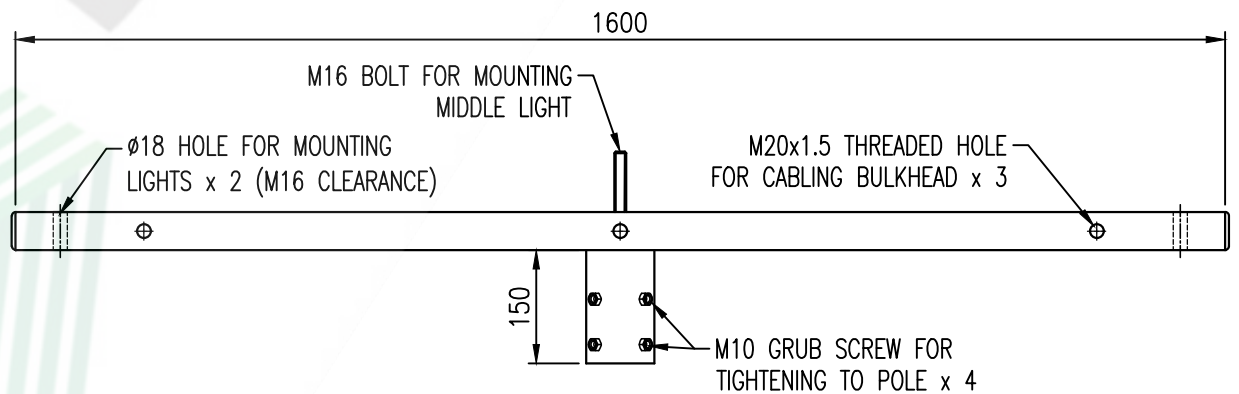
ISOMETRIC VIEW
NTS



SRFC/2 DOUBLE CROSS ARM
EST. WEIGHT = 14KG
SCALE 1:10



ISOMETRIC VIEW
NTS



SRFC/3 TRIPLE CROSS ARM
EST. WEIGHT = 16KG
SCALE 1:10

| Rev | Amendment Description | By | Chk | Date | DESIGN PARAMETERS: |
|-----|-------------------------|----|-----|----------|--|
| 1 | SECOND PRODUCTION ISSUE | SG | MV | 21.01.20 | Design Working Life: 25 Importance Level: 1 Wind Region: A Terrain Category: 2 Site Elevation: <350m |
| | | | | | PRODUCT NUMBER AS SHOWN |
| | | | | | DRG.SIZE A3 |
| | | | | | SCALE AS SHOWN |
| | | | | | SHEET C1 SHT 01/01 |
| | | | | | REVISION 1 |