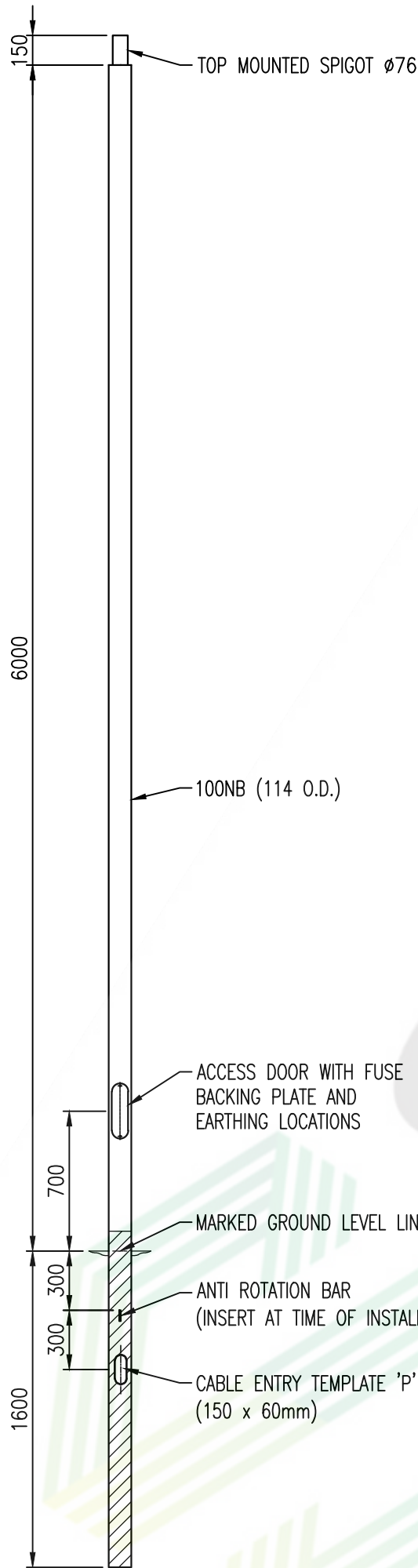
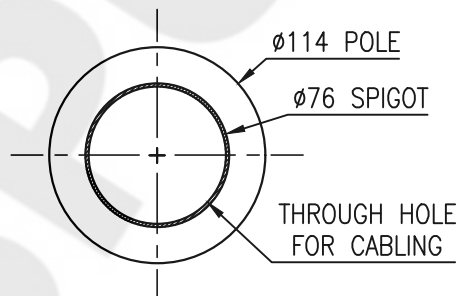


THIS POLE IS RATED FOR A COMBINED LOADING OF 30KG WITH UP TO A 0.35m² SAIL AREA (SEE DESIGN PARAMETERS BELOW)

IF YOU REQUIRE A GREATER LOADING OR ARE OUTSIDE OF THE DESIGN PARAMETERS PLEASE CONTACT SPUNLITE POLES TO CHECK CALCULATIONS



COMPLETE ASSEMBLED VIEW
SCALE 1:30



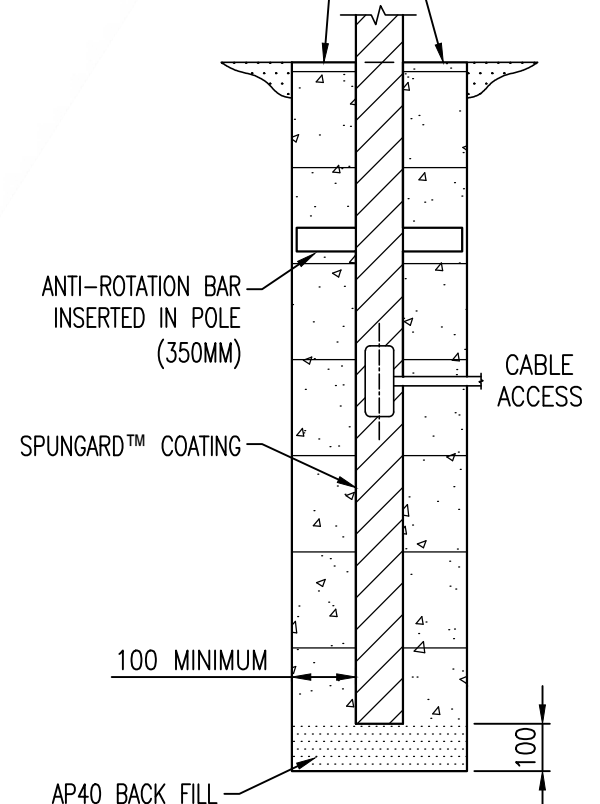
TOP MOUNTED SPIGOT PLAN VIEW
SCALE 1:4

Structural Notes

- Minimum Ultimate soil bearing pressure to be 100 kPa and Ultimate Shear Capacity of 40 kPa (a site evaluation by a qualified Civil/Geotechnical Engineer is advisable).
- Client to provide orientation and location.
- Client to provide conduit for cable entry as required.
- Contractor to check location of all services before commencing work.
- Hot dip galvanizing to AS/NZS 4680:2006 after fabrication.
- Only approved light fittings may be used, no additional attachments can be placed on pole without Spunlite's approval (maximum light size = 0.35m² with a cd = 1.0, maximum light weight = 30kg)
- Backfill hole with 10% cement stabilised AP40 fill, well compacted in 200mm layers or 25 MPa concrete.
- All dimensions shown are nominal.


NOTE: On provision of the relevant geotechnical report, Spunlite can design specific foundations for each project. This service will incur an additional cost. Alternatively Spunlite recommends the engagement of a registered consulting engineer where upon Spunlite will supply all loadings.

BACKFILL HOLE WITH CEMENT STABILISED AP40 FILL, WELL COMPACTED IN 200mm LAYERS OR 25 MPa CONCRETE



TYPICAL GROUND-PLANTED FOUNDATION
SCALE 1:16

ESTIMATED WEIGHT = 101KG

Rev	Amendment Description	By	Chk	Date	DESIGN PARAMETERS:
1	SECOND PRODUCTION ISSUE	DC	MV	21.01.20	Design Working Life: 25 Importance Level: 1 Wind Region: A Terrain Category: 2 Site Elevation: <350m
					PRODUCT NUMBER SRCHSGP/06S SHEET C1 SHT 01/01
PRODUCT: STANDARD RANGE TITLE: CHS 6M GROUND PLANTED W/ 76 O.D. TOP MOUNTED SPIGOT AND SPUNGARD					DRG.SIZE: A3 SCALE: AS SHOWN REVISION: 1
<small>SPUNLITE POLES LTD AND OR WINDSOR URBAN LTD CLAIM AUTHORSHIP OF THIS WORK & RETAIN INTELLECTUAL & ARTISTIC COPYRIGHT</small>					