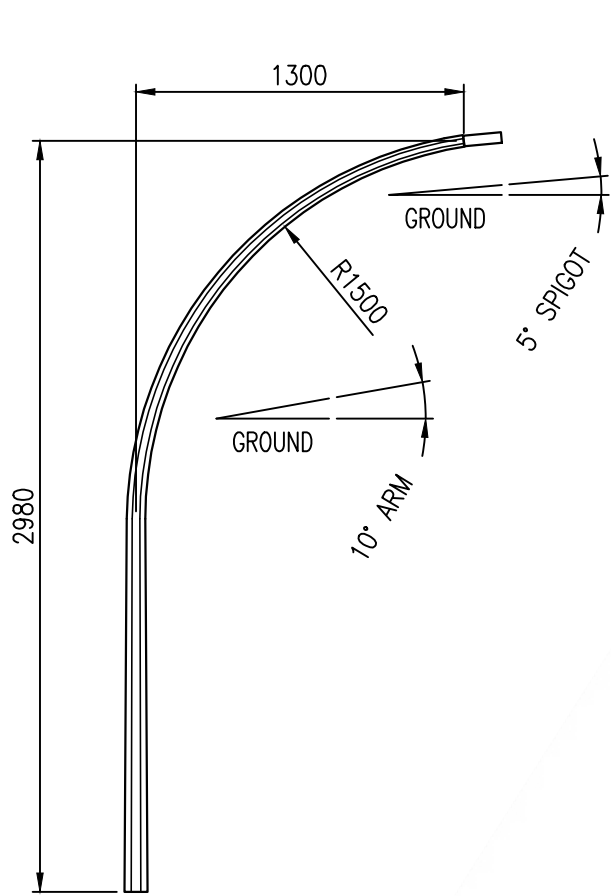
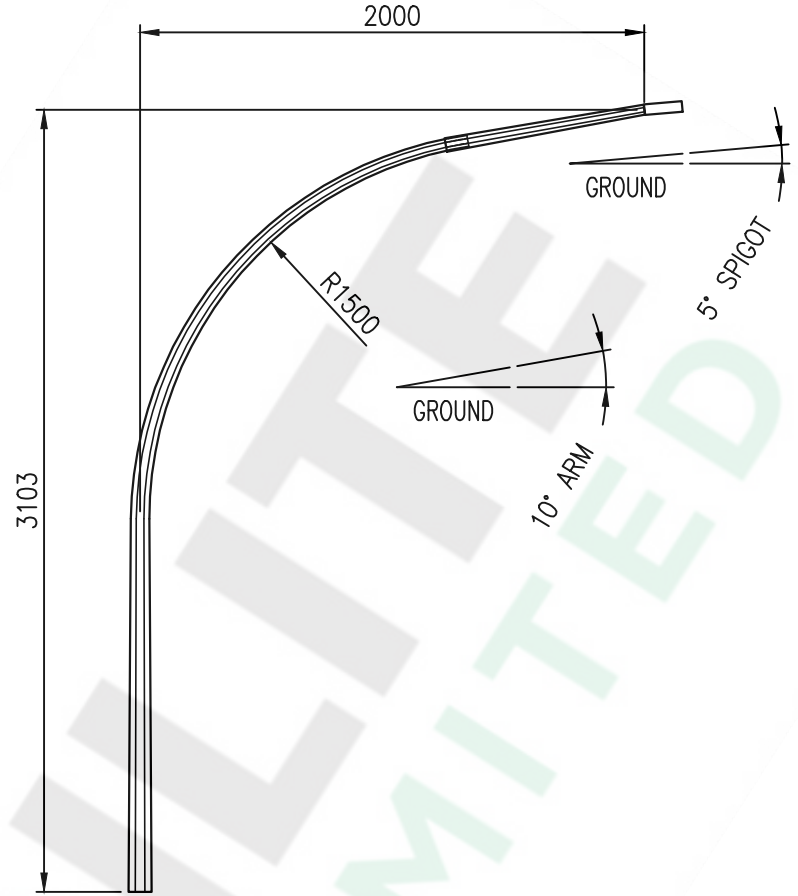


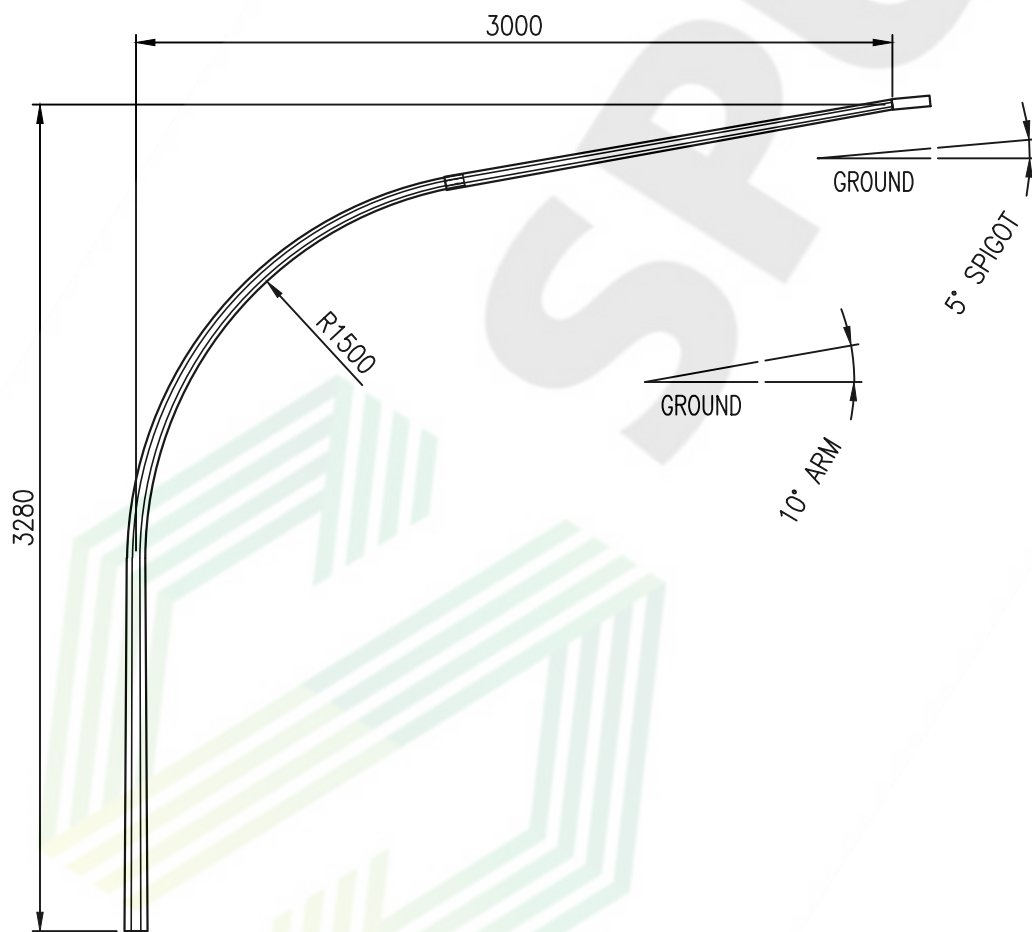
OCTAGONAL CURVED OUTREACH ARM SELECTION FOR USE WITH STANDARD RANGE OCTAGONAL POLES



SRCO/1
SCALE 1:30




SRCO/2
SCALE 1:30



SRCO/3
SCALE 1:30

OUTREACH OPTIONS		
PART NUMBER	LENGTH	SPIGOT
SRCO/1	1.3M	Ø42.4MM X 150MM
SRCO/2	2M	Ø42.4MM X 150MM
SRCO/3	3M	Ø42.4MM X 150MM

Rev	Amendment Description	By	Chk	Date	DESIGN PARAMETERS:
1	SECOND PRODUCTION ISSUE	SG	MV	21.01.20	Design Working Life: - Importance Level: - Wind Region: - Terrain Category: - Site Elevation: -
					PRODUCT NUMBER AS SHOWN SHEET C1 SHT 01/01 REVISION 1
PRODUCT: STANDARD RANGE TITLE: CURVED OCTAGONAL ARMS					DRG.SIZE: A3 SCALE: AS SHOWN
SPUNLITE POLES LTD AND OR WINDSOR URBAN LTD CLAIM AUTHORSHIP OF THIS WORK & RETAIN INTELLECTUAL & ARTISTIC COPYRIGHT					