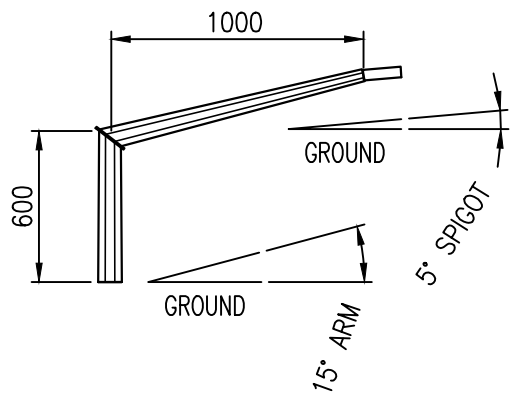
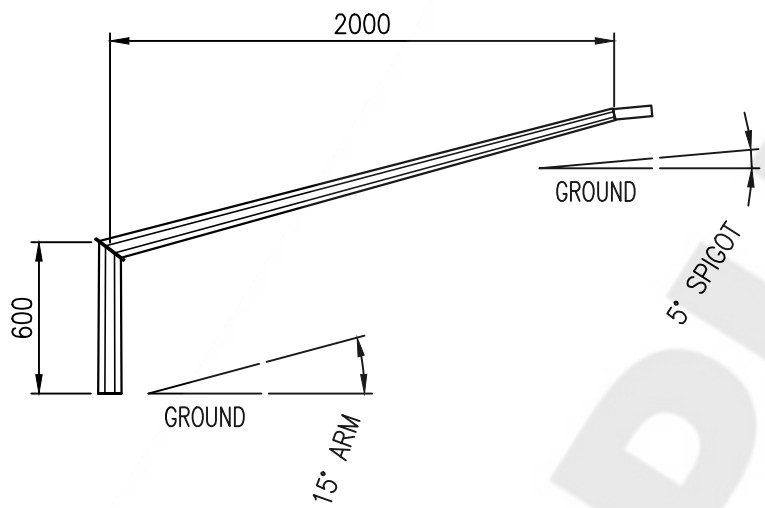


# OCTAGONAL MITRED OUTREACH ARM SELECTION FOR USE WITH STANDARD RANGE OCTAGONAL POLES

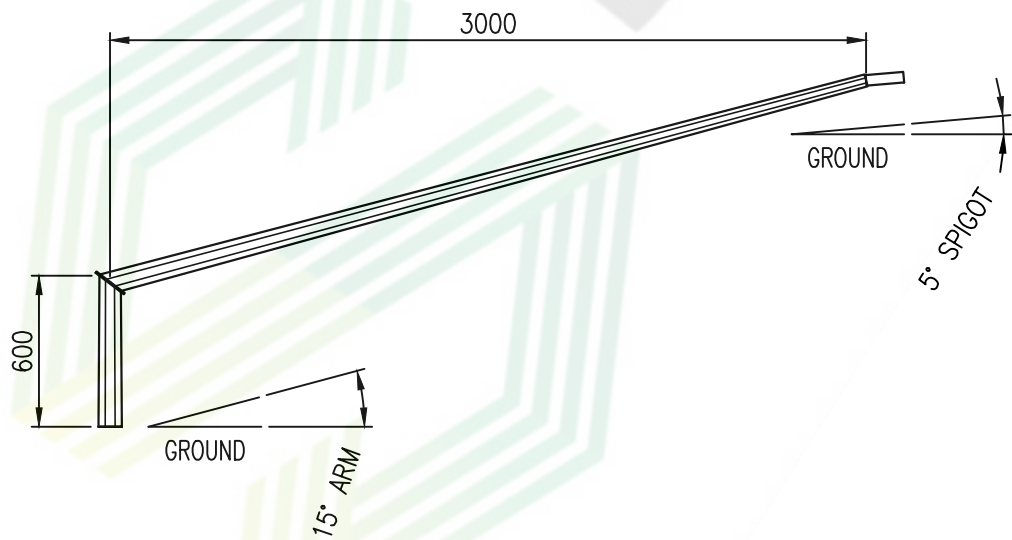


SRMO/1  
SCALE 1:30

OUTREACH OPTIONS		
PART NUMBER	LENGTH	SPIGOT
SRMO/1	1M	Ø42.4MM X 150MM
SRMO/2	2M	Ø42.4MM X 150MM
SRMO/3	3M	Ø42.4MM X 150MM



SRMO/2  
SCALE 1:30



SRMO/3  
SCALE 1:30

Rev	Amendment Description	By	Chk	Date	DESIGN PARAMETERS:
1	SECOND PRODUCTION ISSUE	SG	MV	21.01.20	Design Working Life: - Importance Level: - Wind Region: - Terrain Category: - Site Elevation: -



PRODUCT: STANDARD RANGE  
 TITLE: MITRED OCTAGONAL ARMS  
SPUNLITE POLES LTD AND OR WINDSOR URBAN LTD CLAIM AUTHORSHIP OF THIS WORK & RETAIN INTELLECTUAL & ARTISTIC COPYRIGHT

PRODUCT NUMBER AS SHOWN		SHEET C1 SHT 01/01
DRG.SIZE A3	SCALE AS SHOWN	REVISION 1