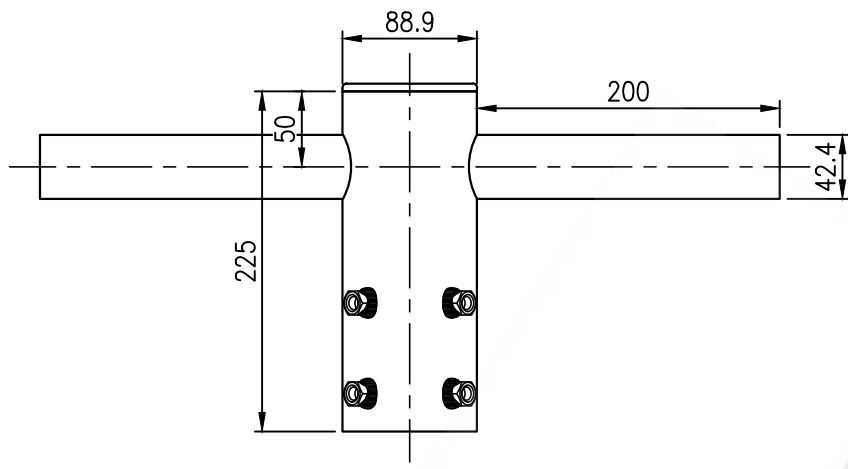
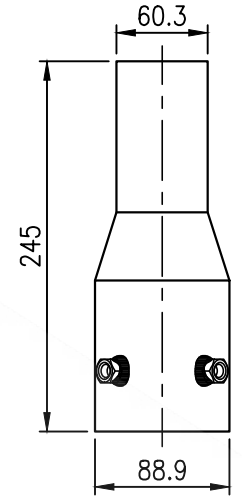


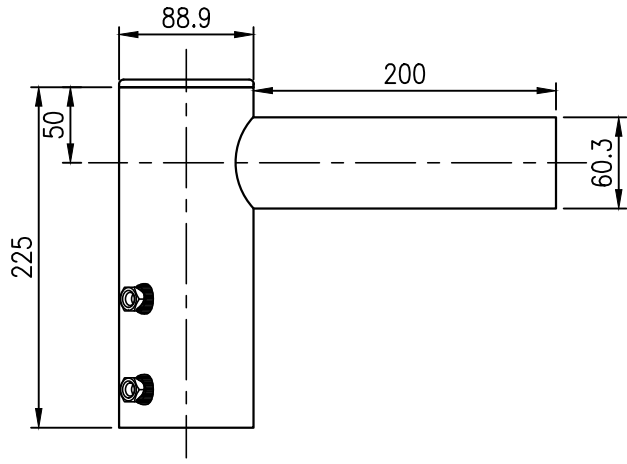
76.10D TO 42.40D AT 0° ADAPTOR ELEVATION



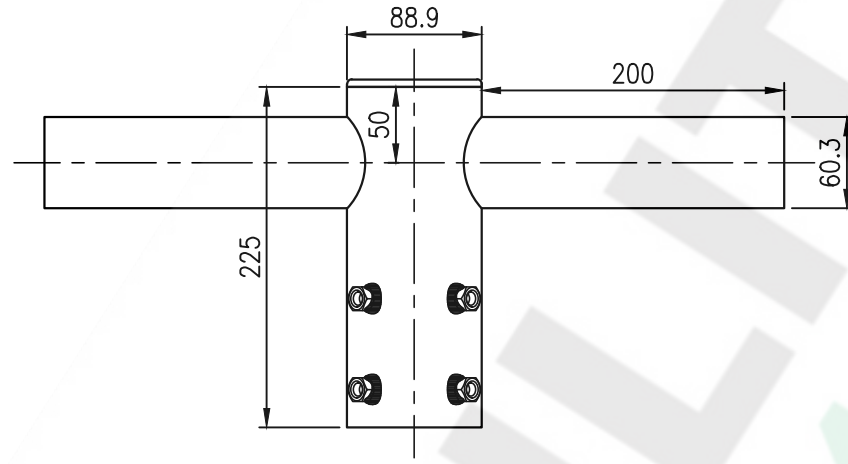
76.10D TO 42.40D AT 0° ADAPTOR DBL 180° ELEVATION



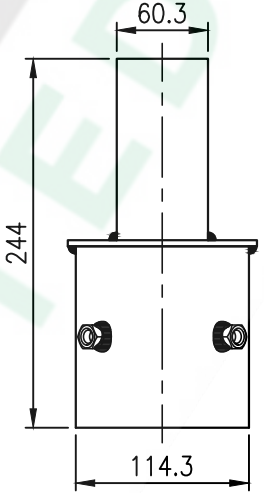
76.10D DECREASE TO 60.30D ELEVATION



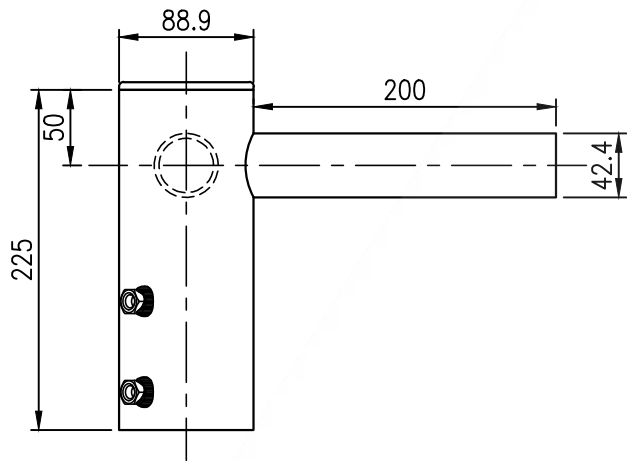
76.10D TO 60.30D AT 0° ADAPTOR ELEVATION



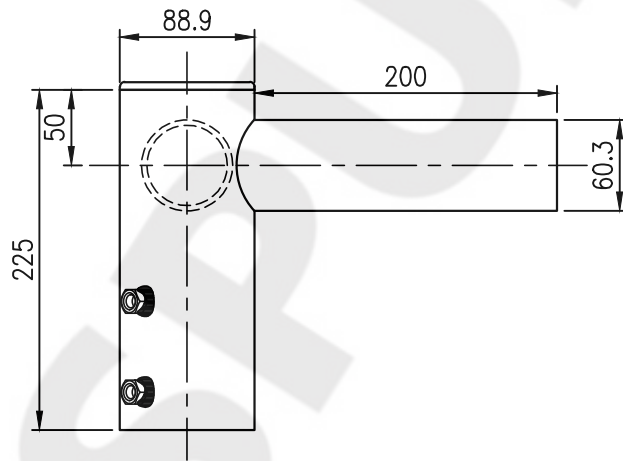
76.10D TO 60.30D AT 0° ADAPTOR DBL 180° ELEVATION



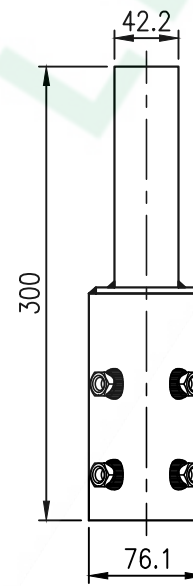
101.30D DECREASE TO 60.30D ELEVATION



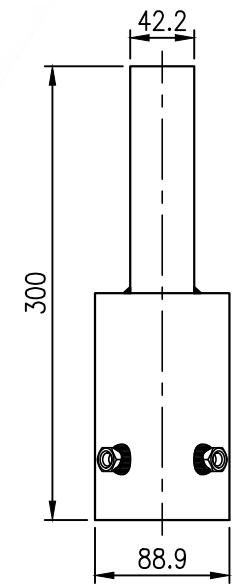
76.10D TO 42.40D AT 0° ADAPTOR DBL 90° ELEVATION



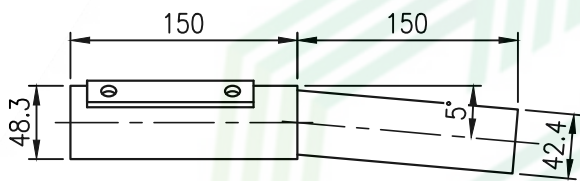
76.10D TO 60.30D AT 0° ADAPTOR DBL 90° ELEVATION



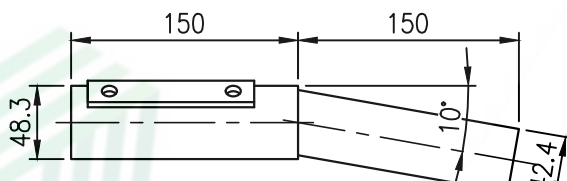
60.30D DECREASE TO 42.20D ELEVATION



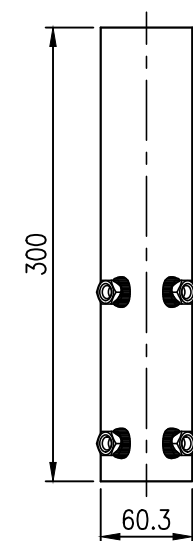
76.10D DECREASE TO 42.40D ELEVATION



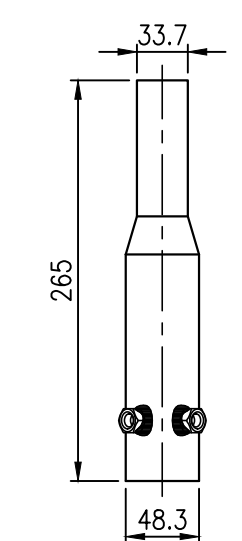
42.40D TO 42.40D @ 5° ELEVATION



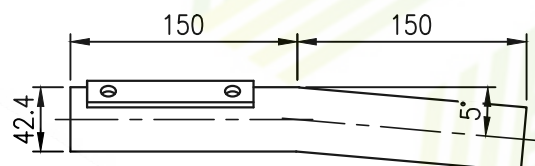
42.40D TO 42.40D @ 10° ELEVATION




42.40D INCREASE TO 60.30D ELEVATION



42.40D DECREASE TO 33.70D ELEVATION



33.70D TO 42.40D @ 5° ELEVATION

Rev	Amendment Description	By	Chk	Date	DESIGN PARAMETERS:
1	FIRST PRODUCTION ISSUE	SG	-	09.07.20	Design Working Life: - Importance Level: - Wind Region: - Terrain Category: - Site Elevation: -
 PRODUCT: ADAPTORS TITLE: ADAPTORS RANGE					PRODUCT NUMBER: - DRG.SIZE: A3 SCALE: AS SHOWN
SPUNLITE POLES LTD AND OR WINDSOR URBAN LTD CLAIM AUTHORSHIP OF THIS WORK & RETAIN INTELLECTUAL & ARTISTIC COPYRIGHT					SHEET: C1 SHT: 01/01 REVISION: 1