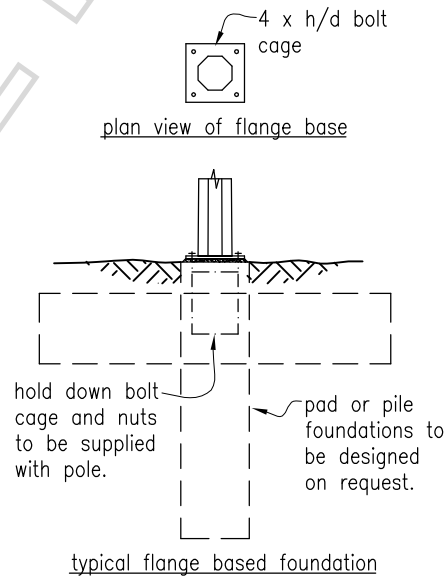


#### Structural Notes

- Client to provide orientation and location.
- Contractor to check location of all services before commencing work.
- Provide conduit for cable entry as required.
- Only approved light fittings may be used, no additional attachments can be placed on pole without Spunlite's approval. (maximum light size=0.2m with a cd=1.0, maximum light weight=1.3kg)

NOTE: If requested Spunlite will design specific foundations for each project. Alternatively Spunlite recommends the engagement of a registered consulting engineer where upon Spunlite will supply all loadings.

A site evaluation by a qualified Structural/Geotechnical Engineer is advisable.



611 Halswell Junction Rd, Hornby, Christchurch, NZ  
ph(03)349-7853 fax(03)349-6529 freeph(0800)845-845  
i.net www.spunlite.co.nz

Project: -

Address: -

Title: Spunlite 10.4m Elliptical octagonal streetlighting pole, 3.0m  
outreach (25°), flange based

Spun Lite Poles Ltd claim authorship of this work & retain intellectual & artistic copyright

scale: 1:50

file: 10.4e,fb,3.0,25

date: 9/7/2001

drawn: ADL

sheet:

C1

revision: -