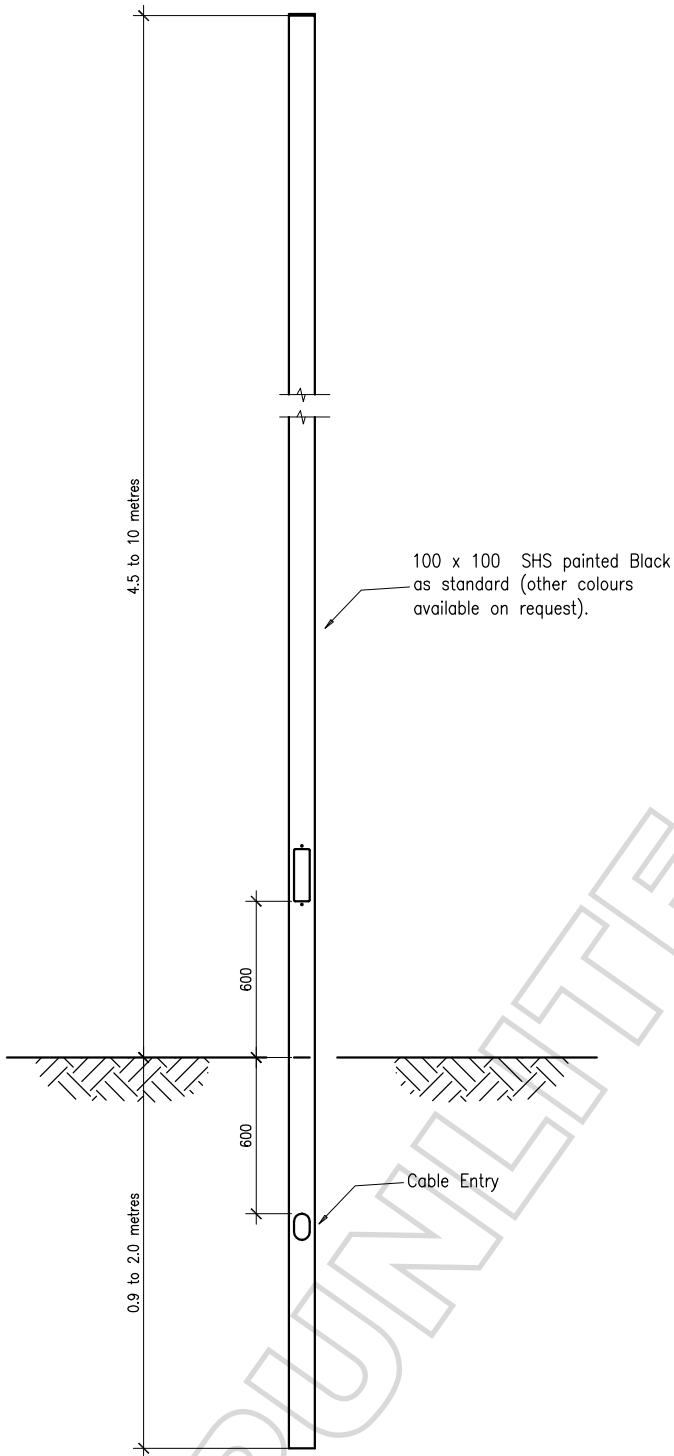


Options:- Plastic Cap or/ Spigot top.
 / (Drillings as required to suit clients fitting)

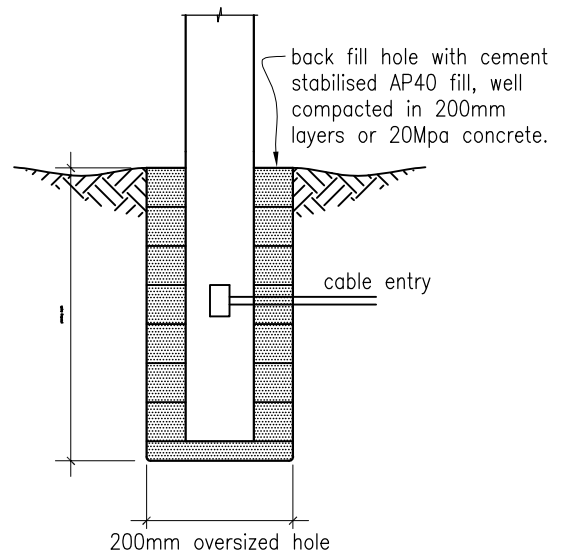


Structural Notes

- Client to provide orientation and location.
- Contractor to check location of all services before commencing work.
- Provide conduit for cable entry as required.
- Only approved light fittings may be used, no additional attachments can be placed on pole without Spunlite's approval. (maximum light size=0.5m with a cd=1.0)

NOTE: If requested Spunlite will design specific foundations for each project. Alternatively Spunlite recommends the engagement of a registered consulting engineer where upon Spunlite will supply all loadings.

A site evaluation by a qualified Structural/Geotechnical Engineer is advisable.



Typical Ground Planted Foundation



611 Halswell Junction Rd, Hornby, Christchurch, NZ
 ph(03)349-7853 fax(03)349-6529 freeph(0800)845-845
 i.net www.spunlite.co.nz

Project: -
 Address: -
 Title: 4.5m to 10.0m SHS GROUND PLANTED POLE

scale: 1:40
 file: Library
 date: 2.9.08
 drawn: dgw

sheet:
C1
 revision: A